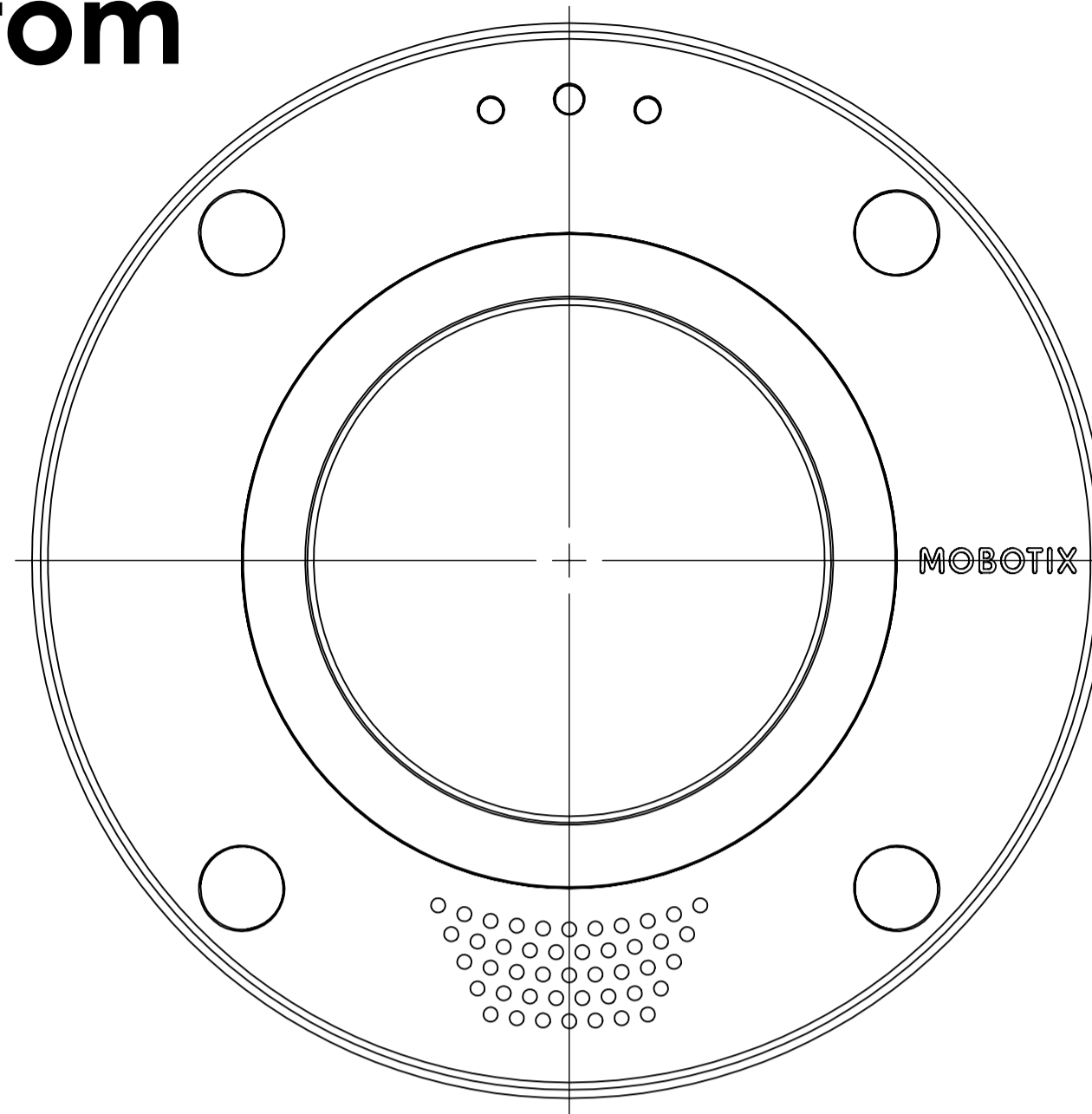
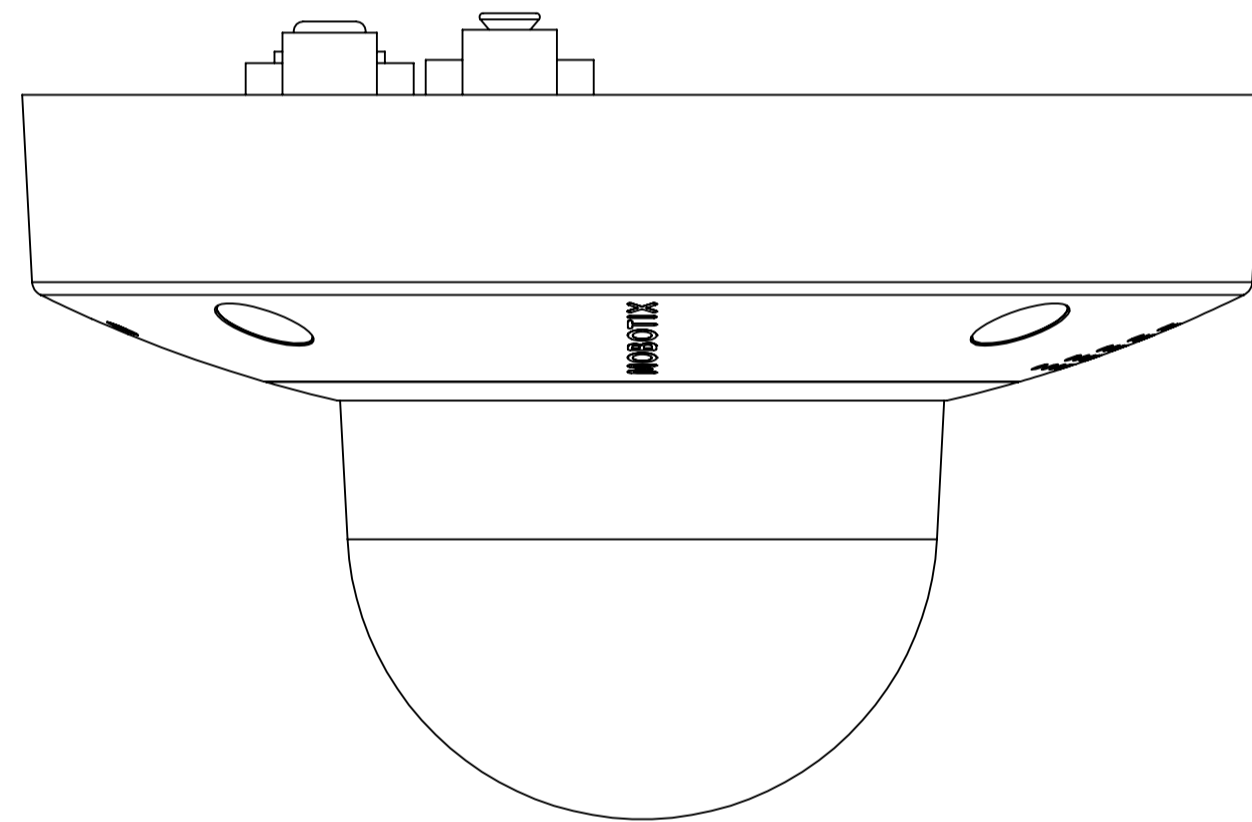


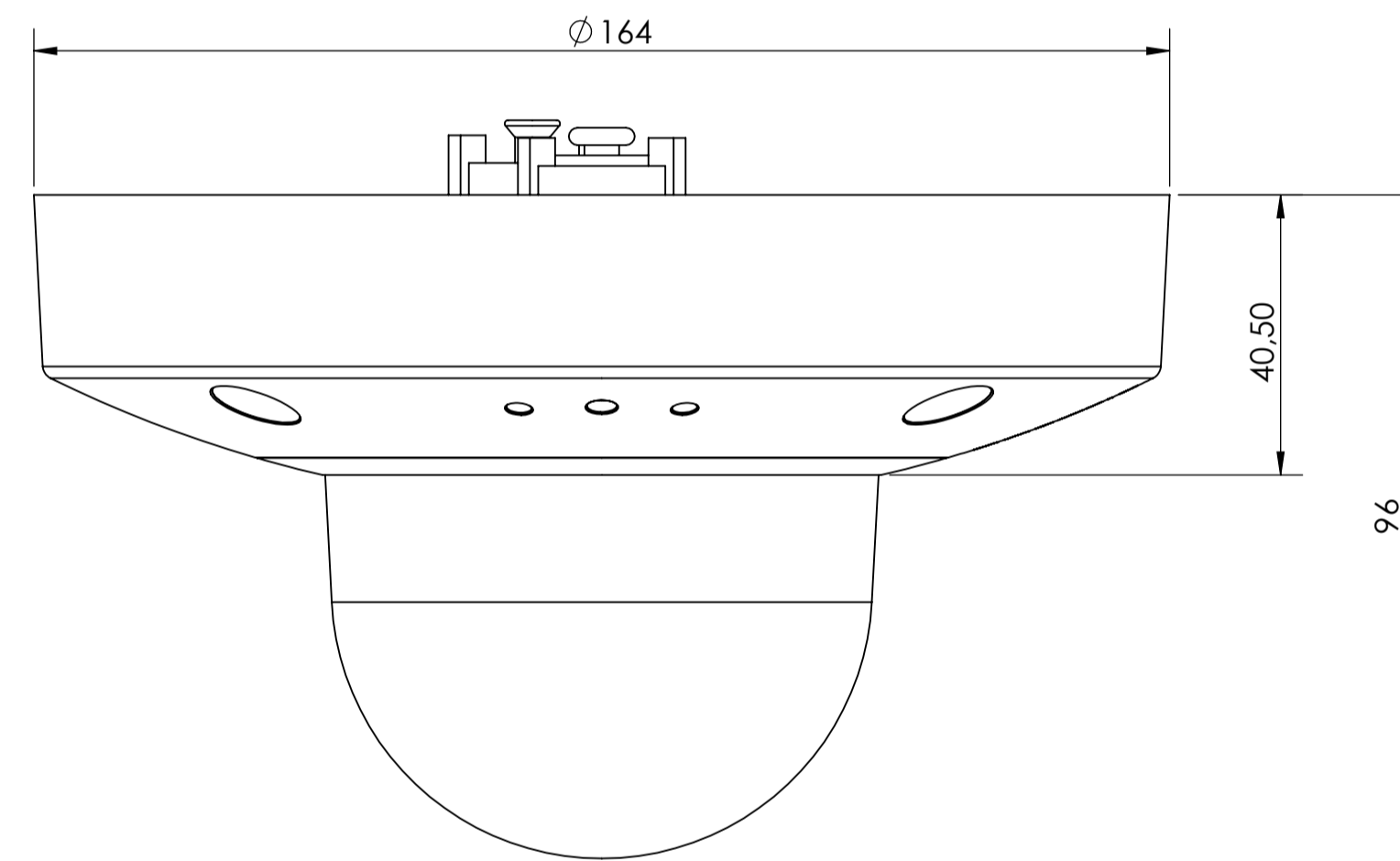
Bottom



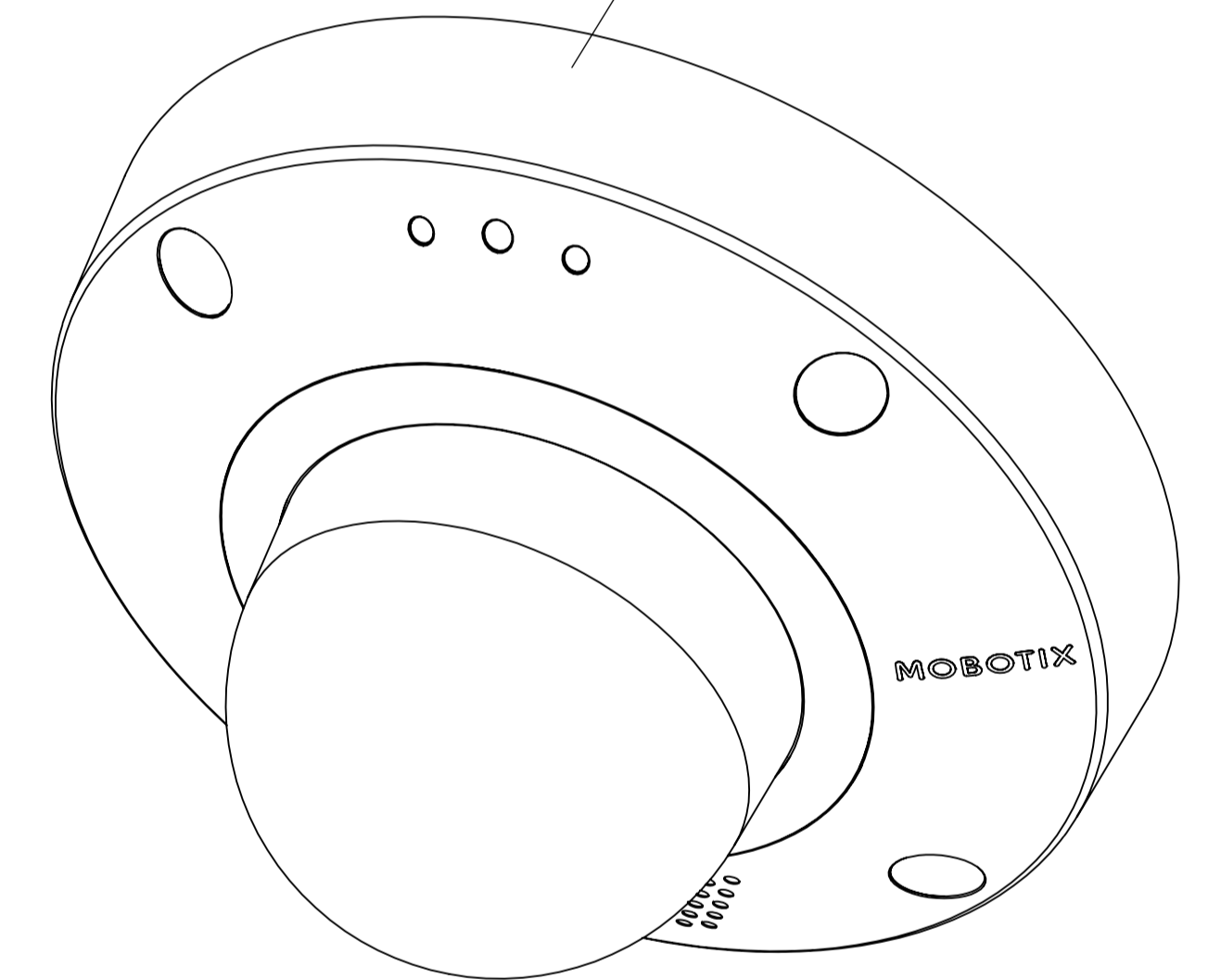
Side



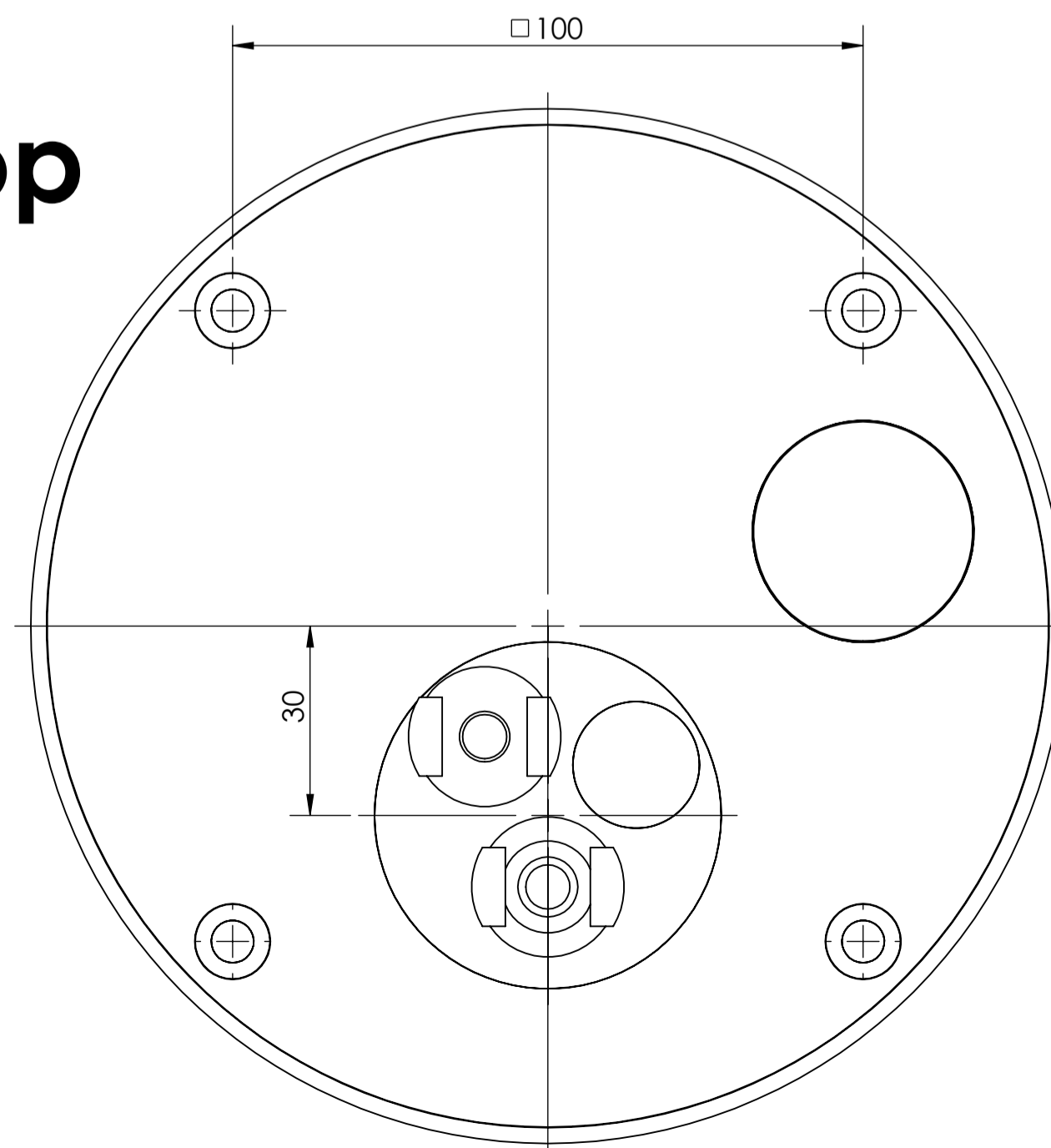
Front



camera housing



Top



MOBOTIX does not take responsibility for the correctness and completeness of this data and recommends to verify the design and measures with the actual product delivered. Measures on goods delivered may vary due to manufacturing tolerances and environmental temperature material impacts. Technical specifications of the enclosed data is subject to change without notice. As all Design information are subject to MOBOTIX IPR, the reproduction and distribution of this data as well as the communication of its contents is prohibited and offenders will be held liable.

| | | | | | |
|---------------------------------------------------------------------------------------------------------------------------------------------------------------------------------------------------------------|----------|------------|------------|---------------------------------------------------------|-----------|
| <small>Für diese Unterlagen werden wir uns alle Rechte vor. Sie dürfen für den hier beschriebenen Zweck benutzt, und ohne unsere Zustimmung weder ververvielt noch Dritten zugänglich gemacht werden.</small> | | Beitrag: | Datum: | Werkstoff: | Gewicht: |
| | | 15.07.2022 | MDie | Artikel REACH- und RoHS-konform (Richtlinie 2011/65/EU) | Material: |
| | | Geprüft: | Norm: | v71 Camera | |
| | | CAD-A1 | SolidWorks | MOBOTIX v71 | |
| Rev. | Änderung | Datum | Name | Blatt 1 von 1 | |

