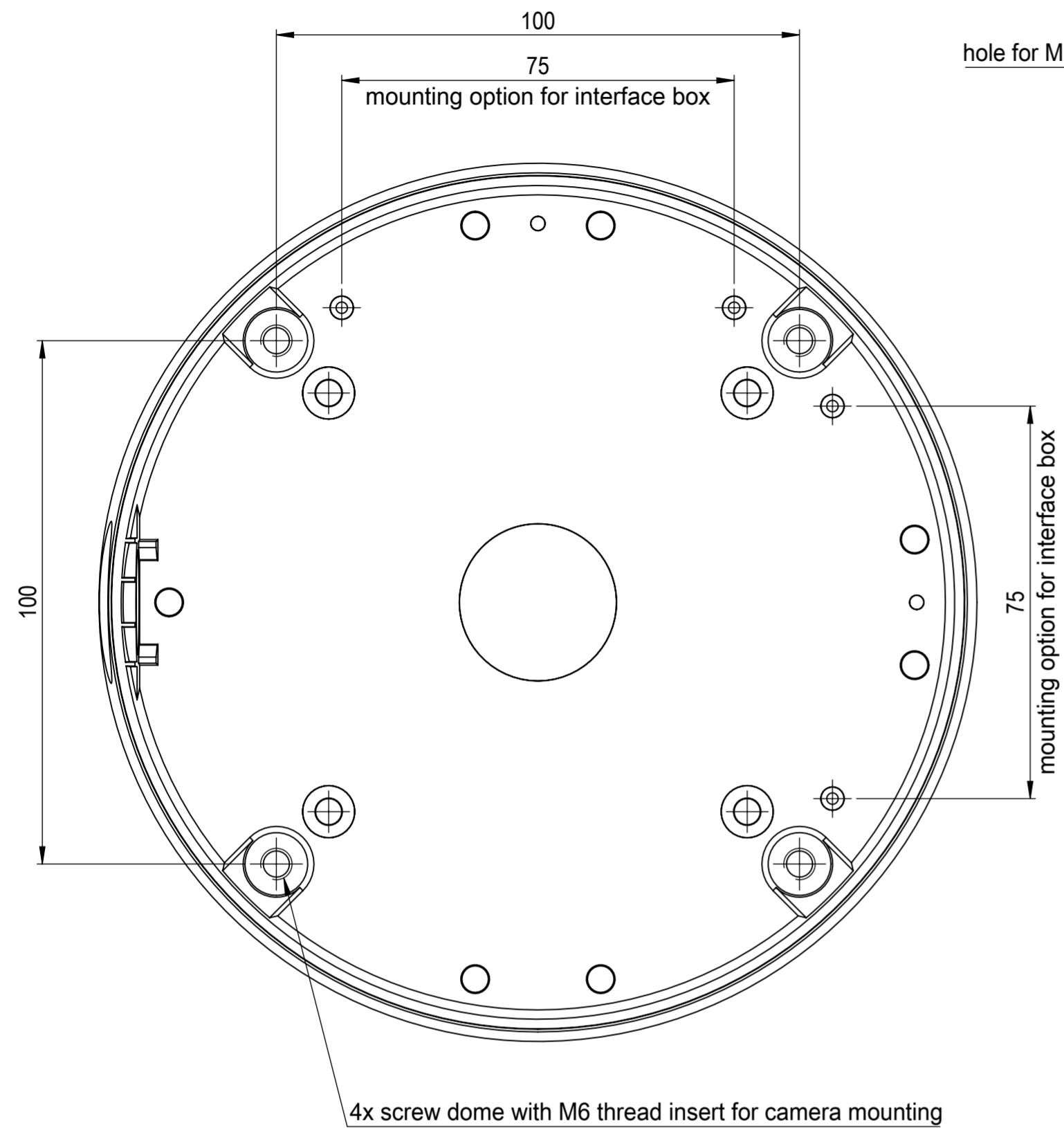
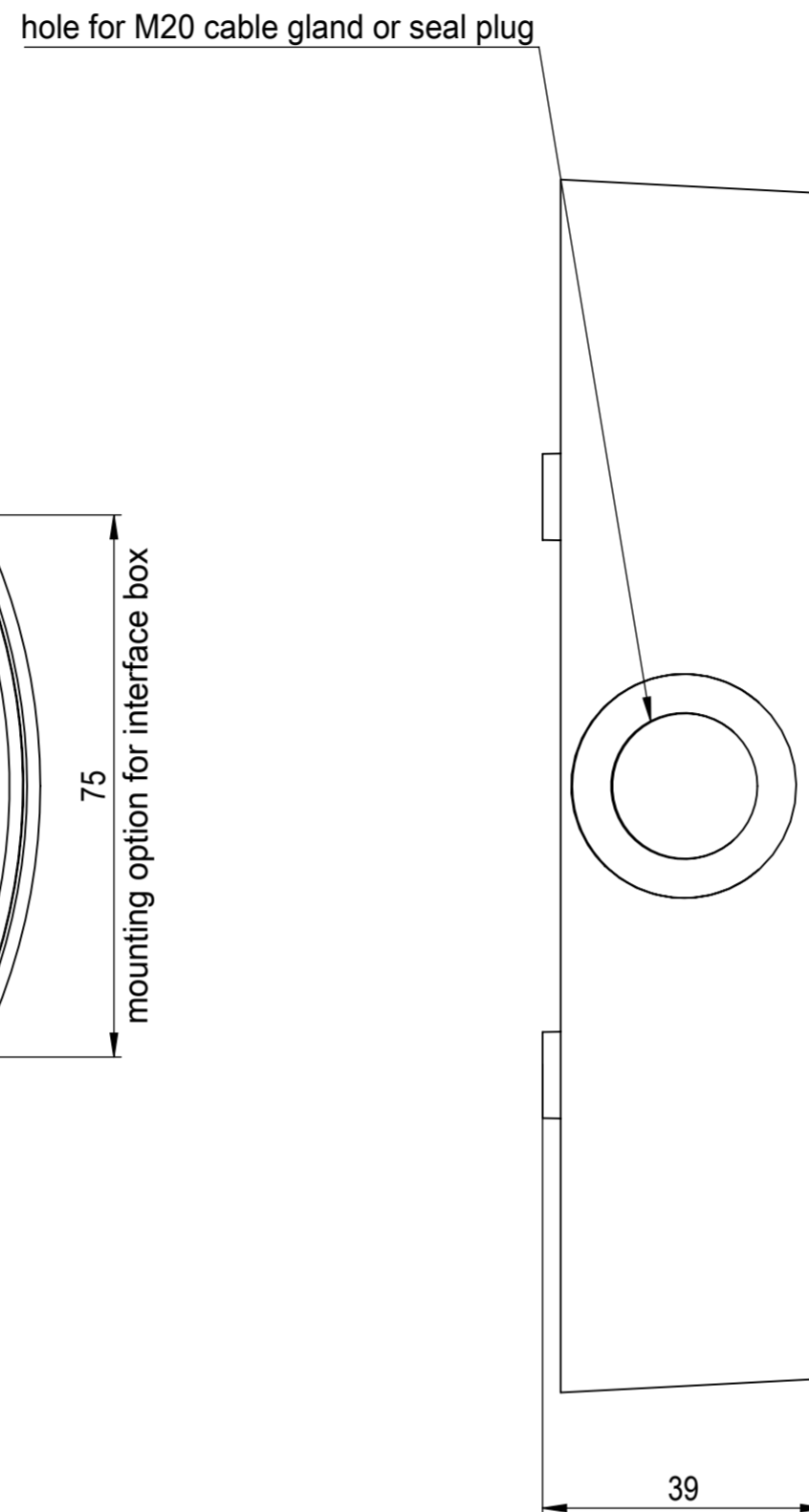


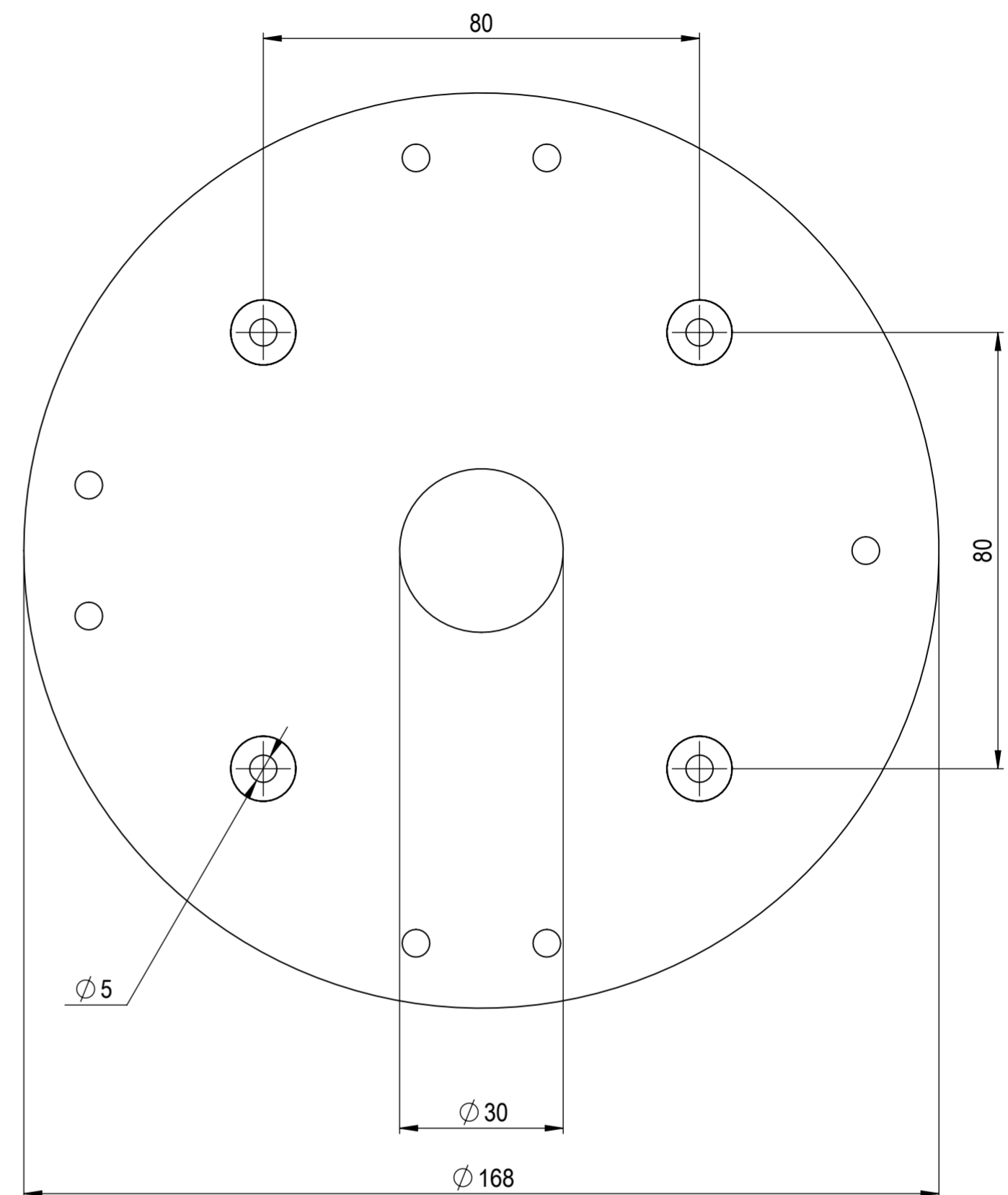
Top



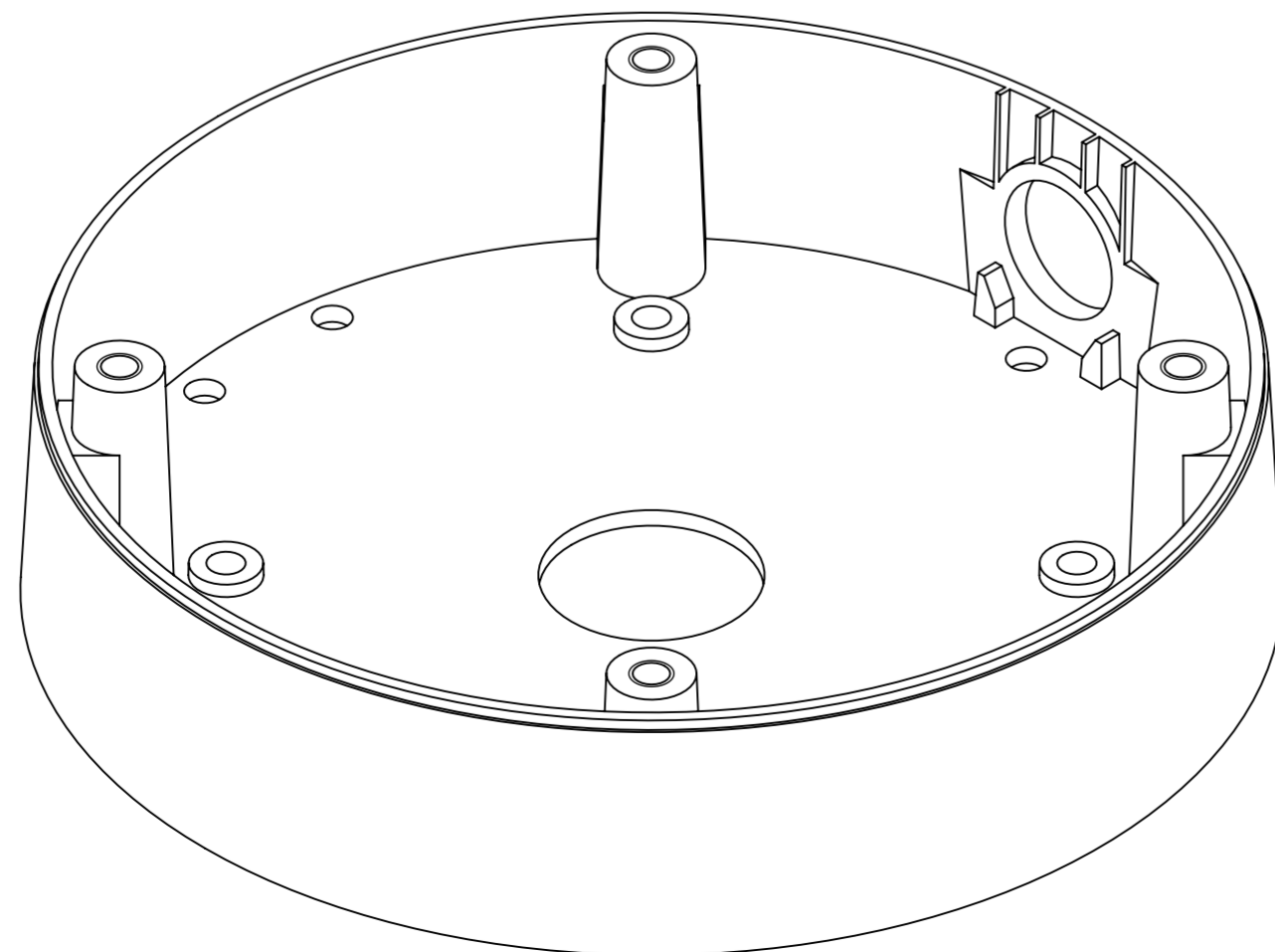
Side



Bottom



Isometric view



MOBOTIX does not take responsibility for the correctness and completeness of this data and recommends to verify the design and measures with the actual product delivered. Measures on goods delivered may vary due to manufacturing tolerances and environmental temperature material impacts. Technical specifications of the enclosed data is subject to change without notice. As all Design information are subject to MOBOTIX IPR, the reproduction and distribution of this data as well as the communication of its contents is prohibited and offenders will be held liable.

<small>We reserve all right for this technical document. It may only be used for purposes determined by us and not be reproduced nor duplicated for third party use.</small> <small>All dimensions are in millimeter</small>		Date	Name	Material	Weight
		Process	Control	Norm	Scale
		25.11.2021	YaJae	maximum deviation without tolerance data: ISO 2768 - F - H article REACH- and RoHS - compliant (guideline 2011/65/EU)	1:1
		CAD-A2	SolidWorks	Mx-M-OW-DQ On Wall Kit for D7x_Q7x	
Des.	Changes	Date	Name	Replacement	
				Sheet 1 of 1	