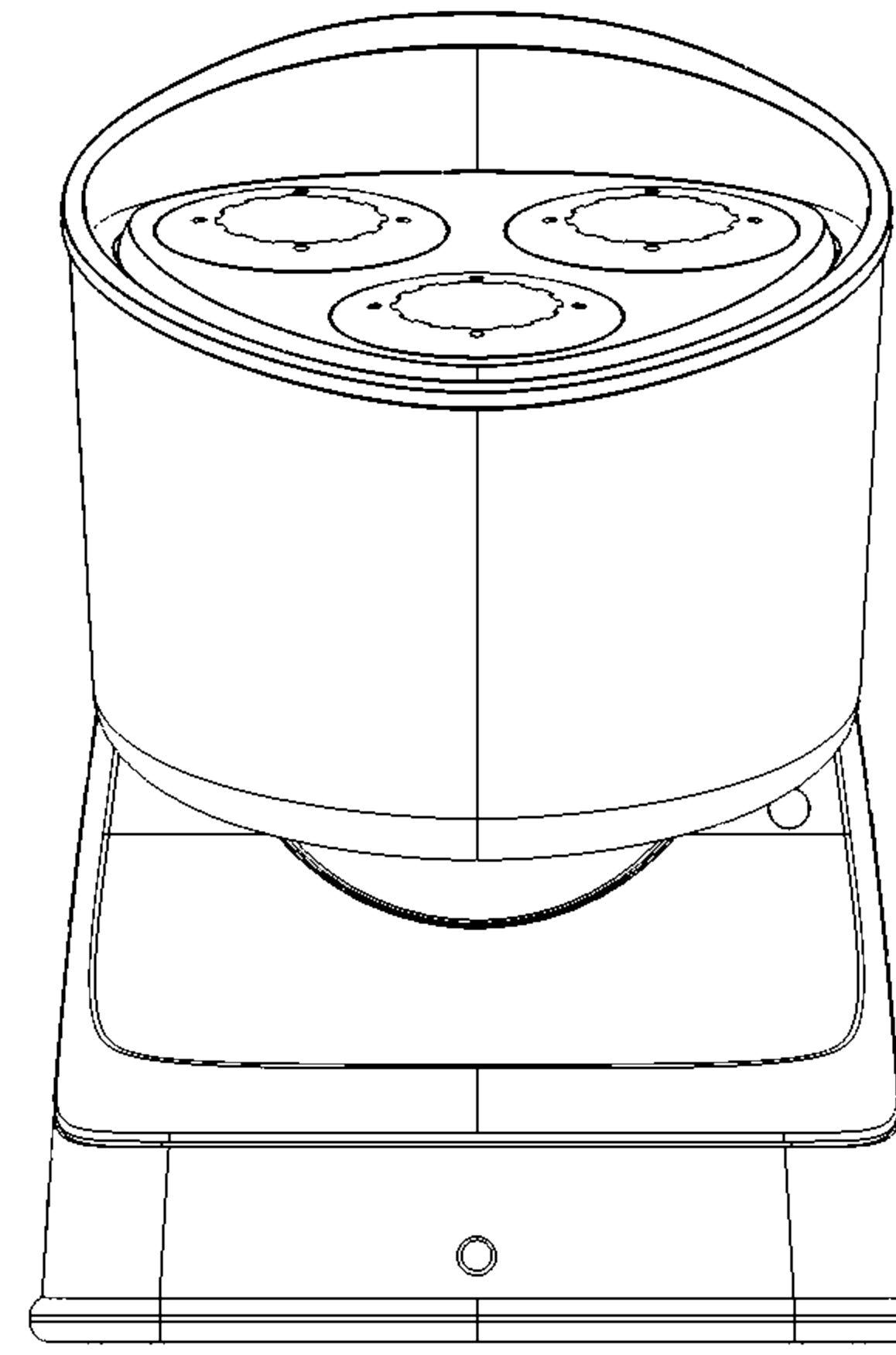
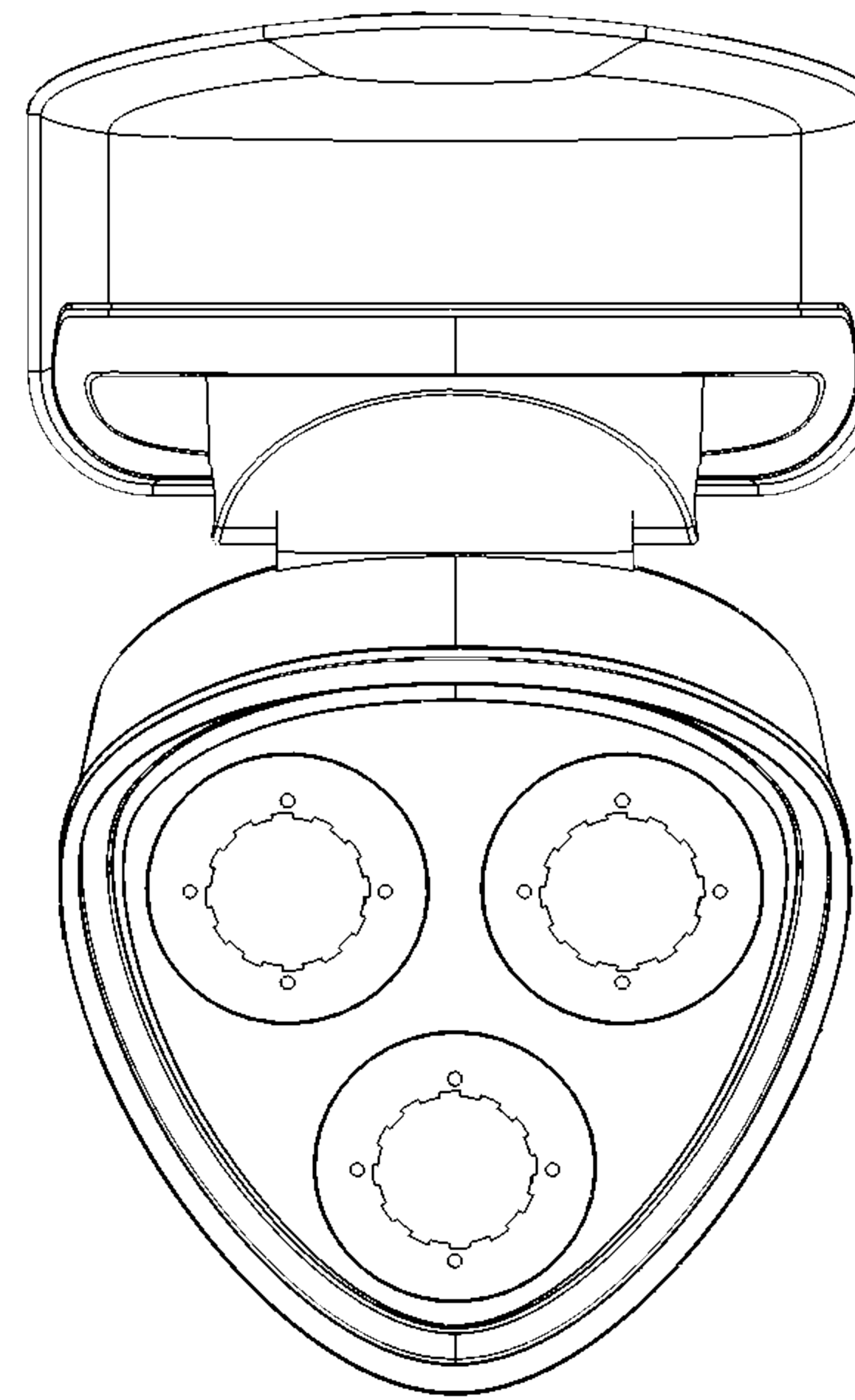


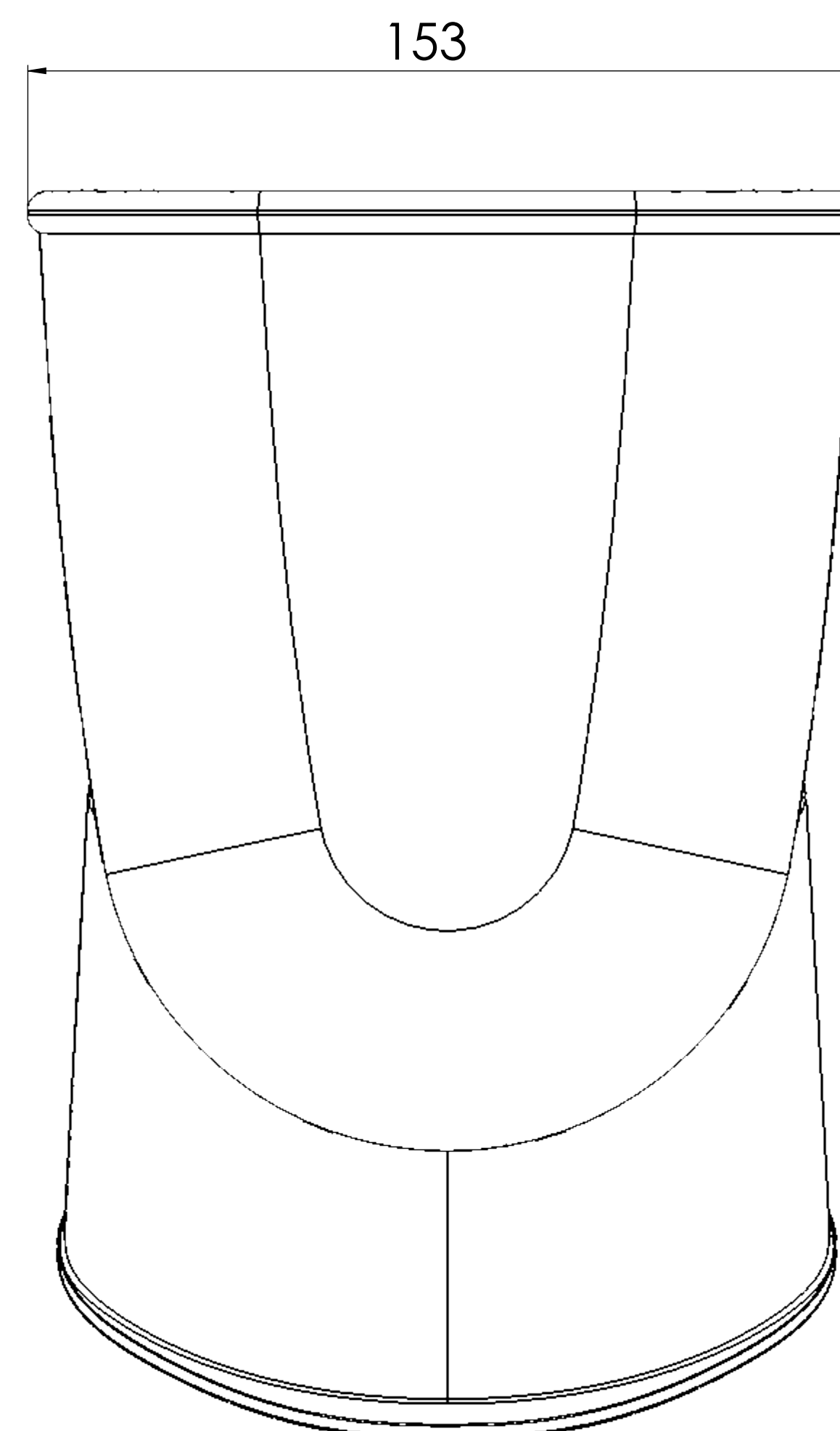
Bottom



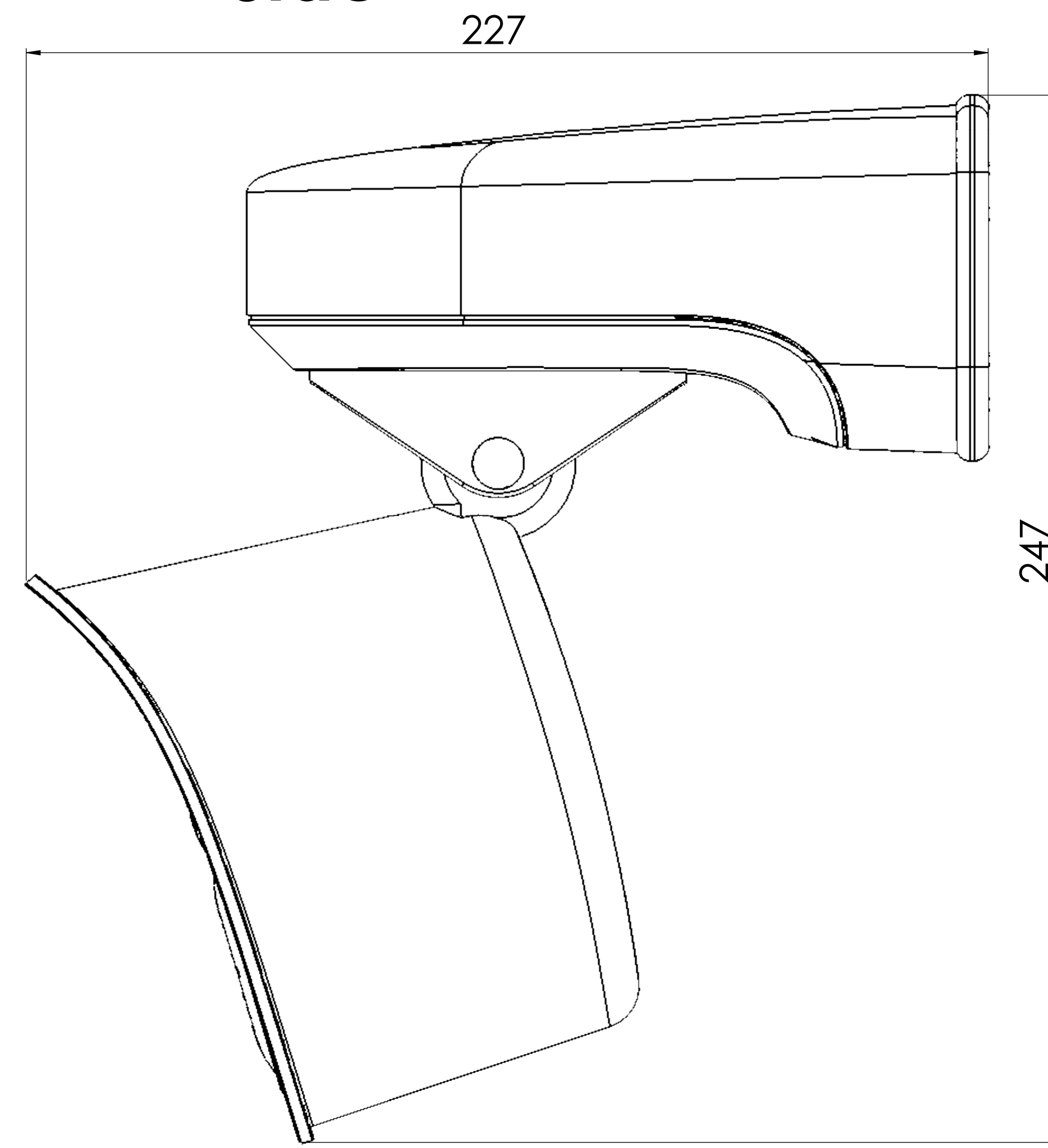
Front



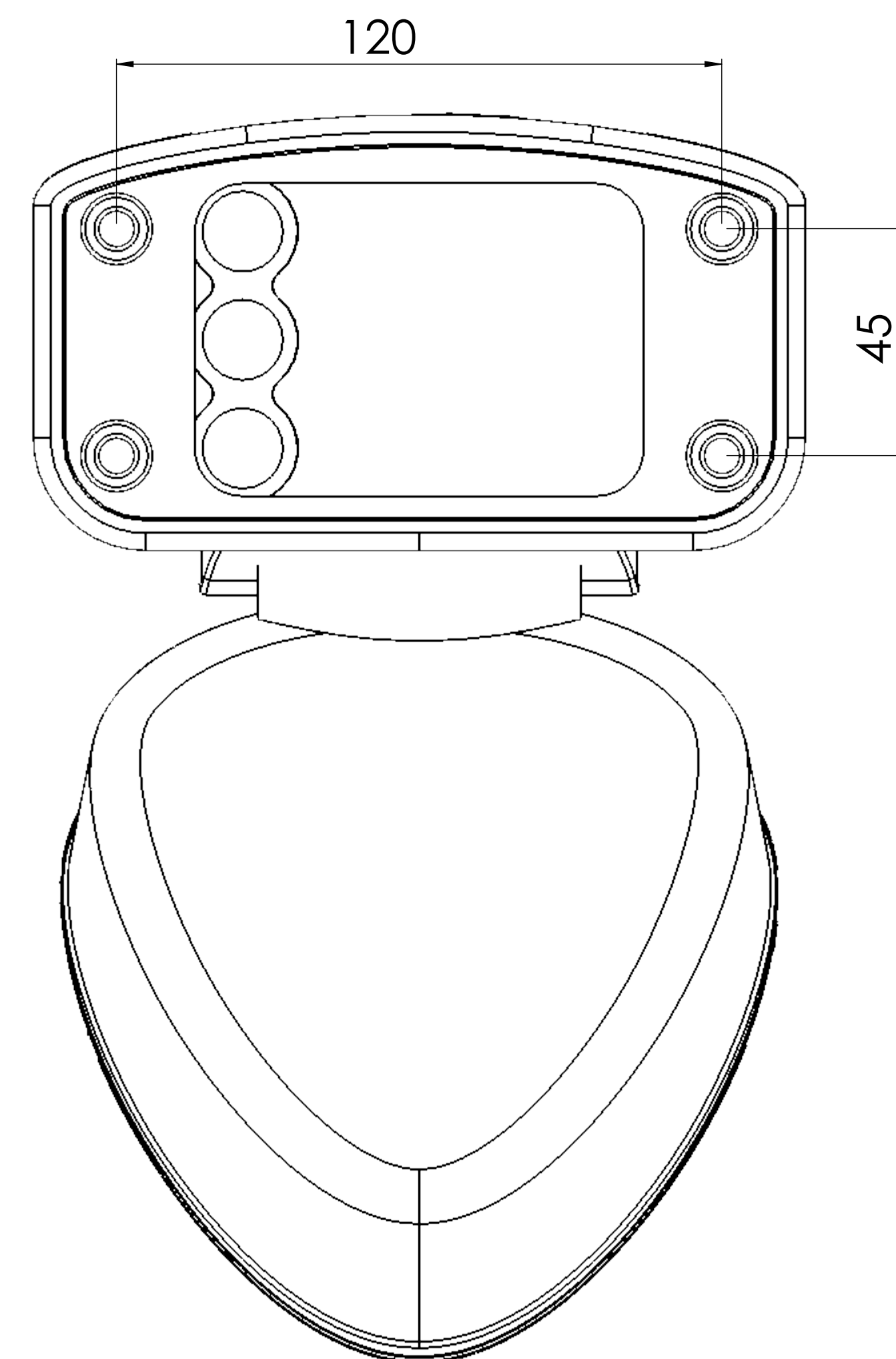
Top



Side

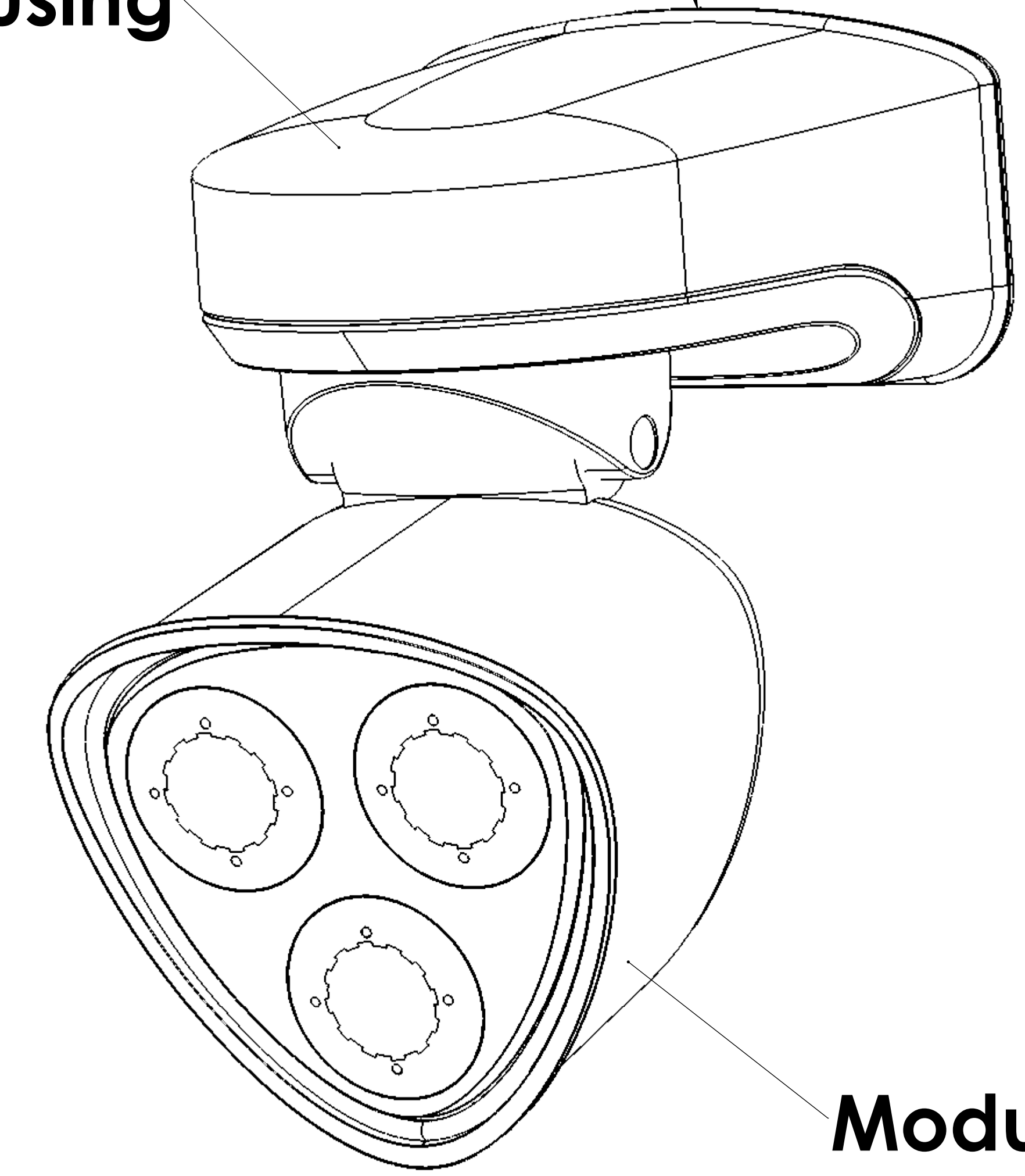


Back



rubber sealing

Camera housing



Modul housing

MOBOTIX does not take responsibility for the correctness and completeness of this data and recommends to verify the design and measures with the actual product delivered. Measures on goods delivered may vary due to manufacturing tolerances and environmental temperature material impacts. Technical specifications of the enclosed data is subject to change without notice. As all Design information are subject to MOBOTIX IPR, the reproduction and distribution of this data as well as the communication of its contents is prohibited and offenders will be held liable.

MOBOTIX Beyond Human Vision		Part: 13.04.2023	Rev: 02	Drawn: E
		Item: CAD-42	Sub: SW-01	Scale: 1:1
		M73 camera		
		MOBOTIX M73		
		Sheet 1 of 1		