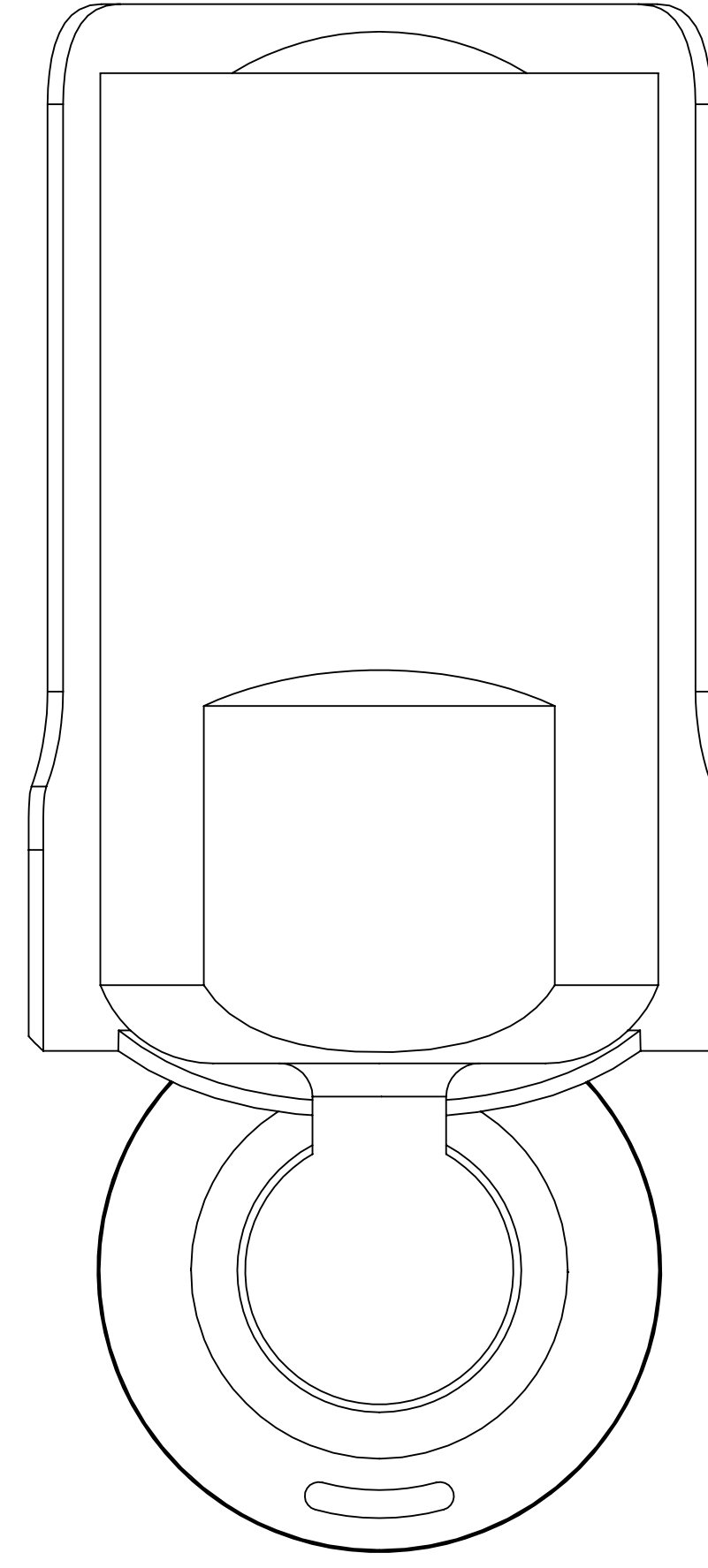
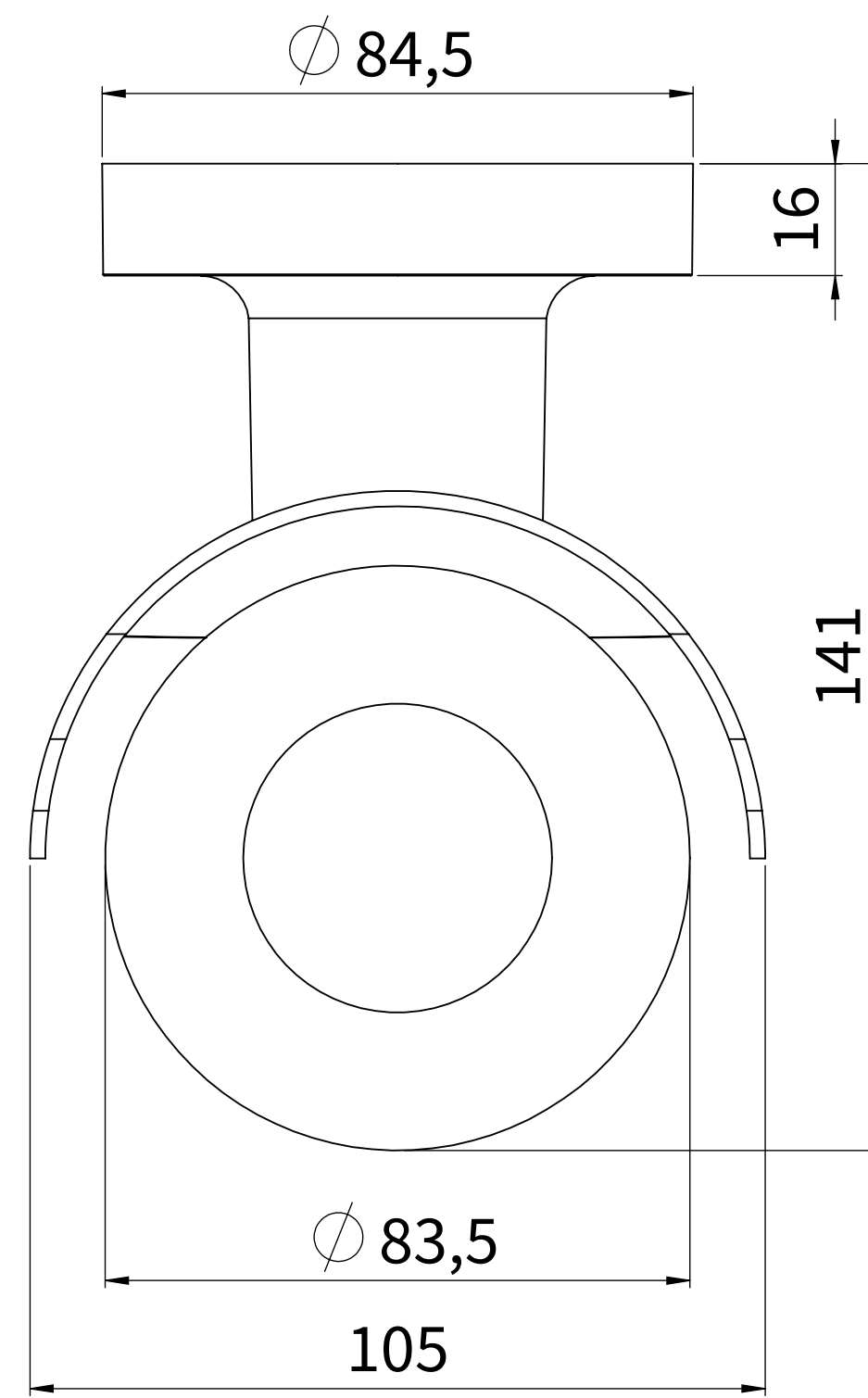


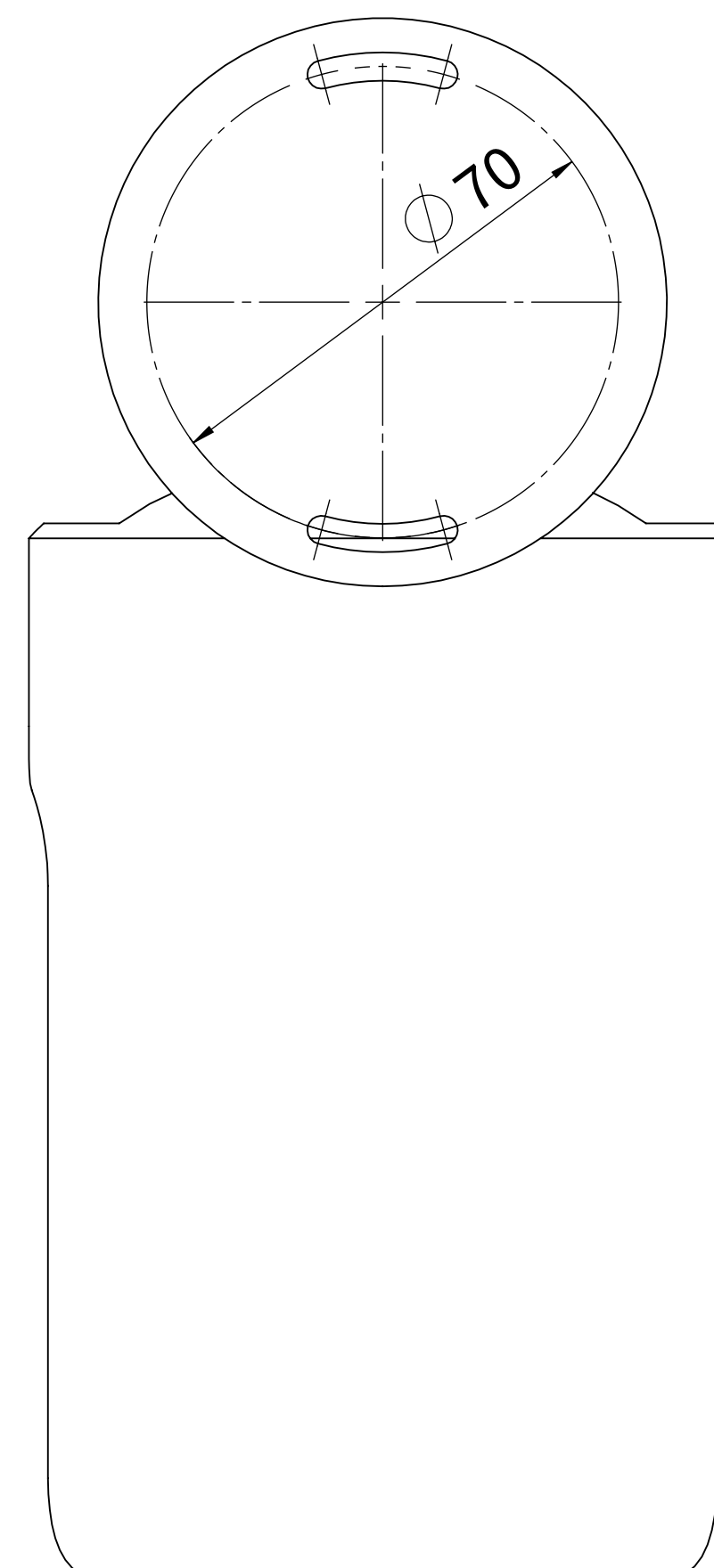
### Bottom



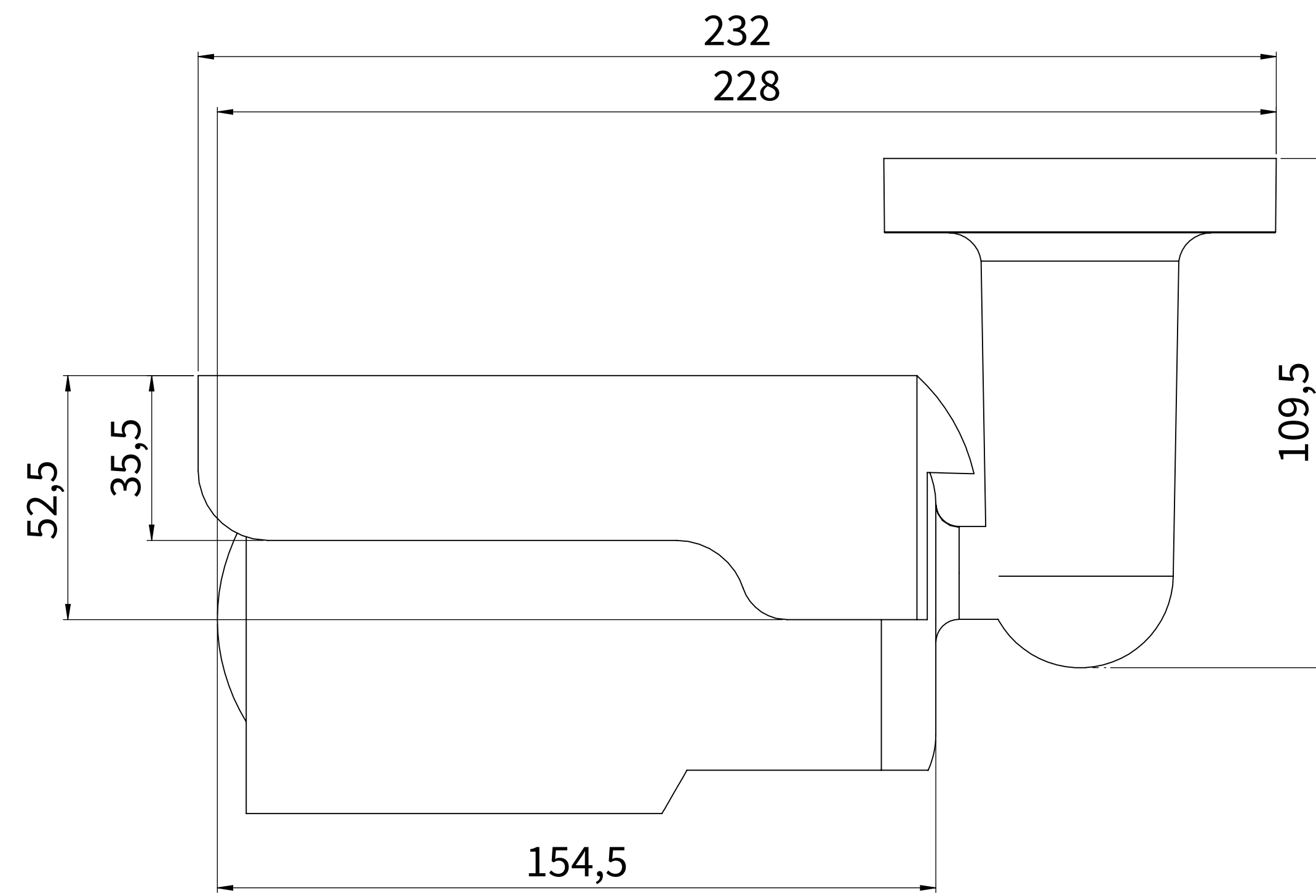
### Front



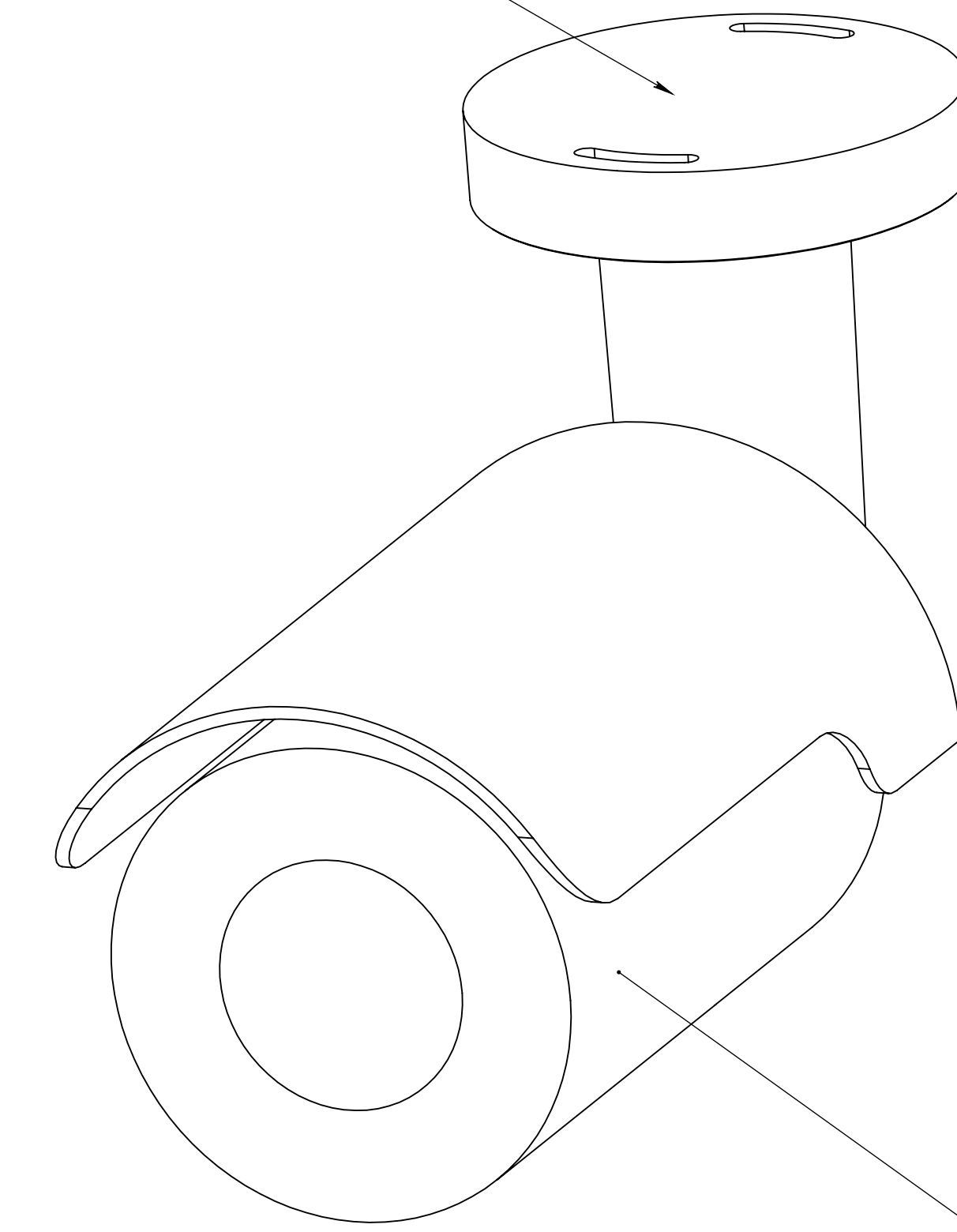
### Top



### Side



wall mount



camera housing

MOBOTIX does not take responsibility for the correctness and completeness of this data and recommends to verify the design and measures with the actual product delivered. Measures on goods delivered may vary due to manufacturing tolerances and environmental temperature material impacts. Technical specifications of the enclosed data is subject to change without notice. As all Design information are subject to MOBOTIX IPR, the reproduction and distribution of this data as well as the communication of its contents is prohibited and offenders will be held liable.

<small>                 Revision of part for technical reasons                  Revision of part for safety reasons                  Revision of part for cost reduction                  Revision of part for customer requirements             </small>		Date: 13.08.2023 Name: ZS Version: CAD-02   SolidWorks	Material:	Weight:	Scale: 1:1
20.101.949-01 Mx-VB3A-2-IR-VA			Sheet 1 of 1		