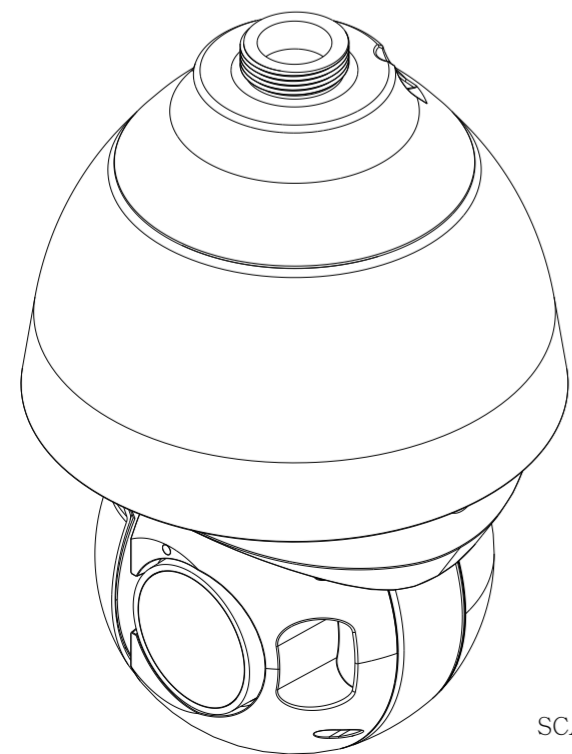
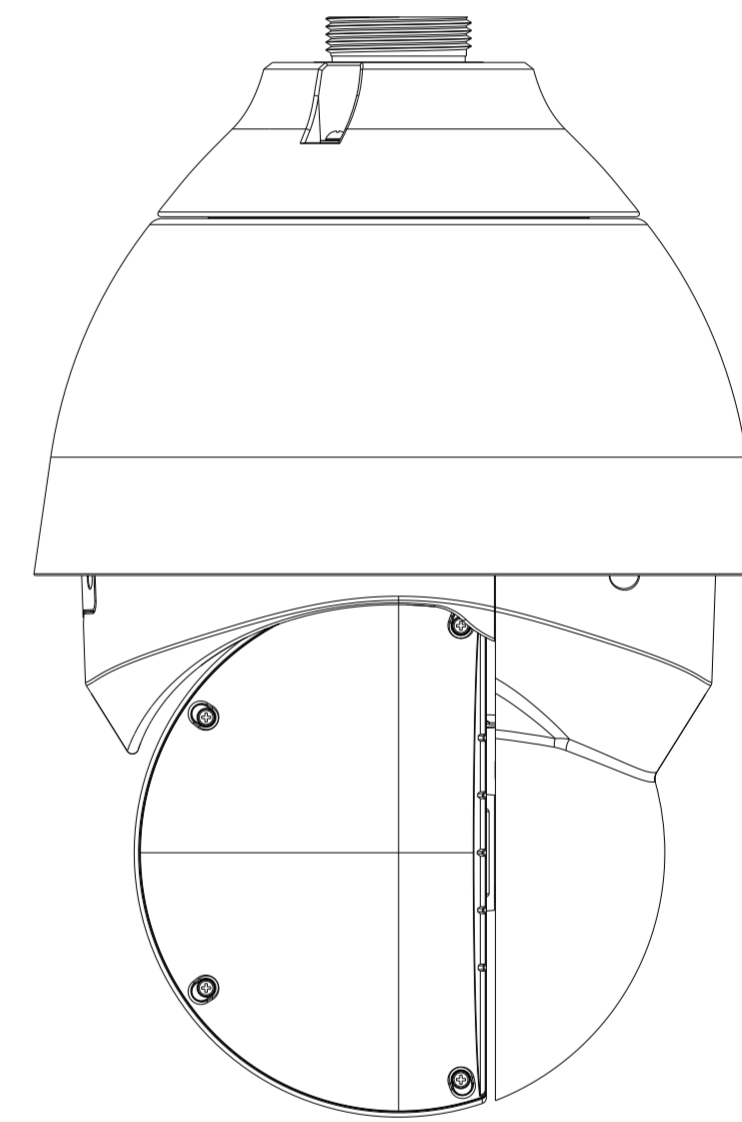
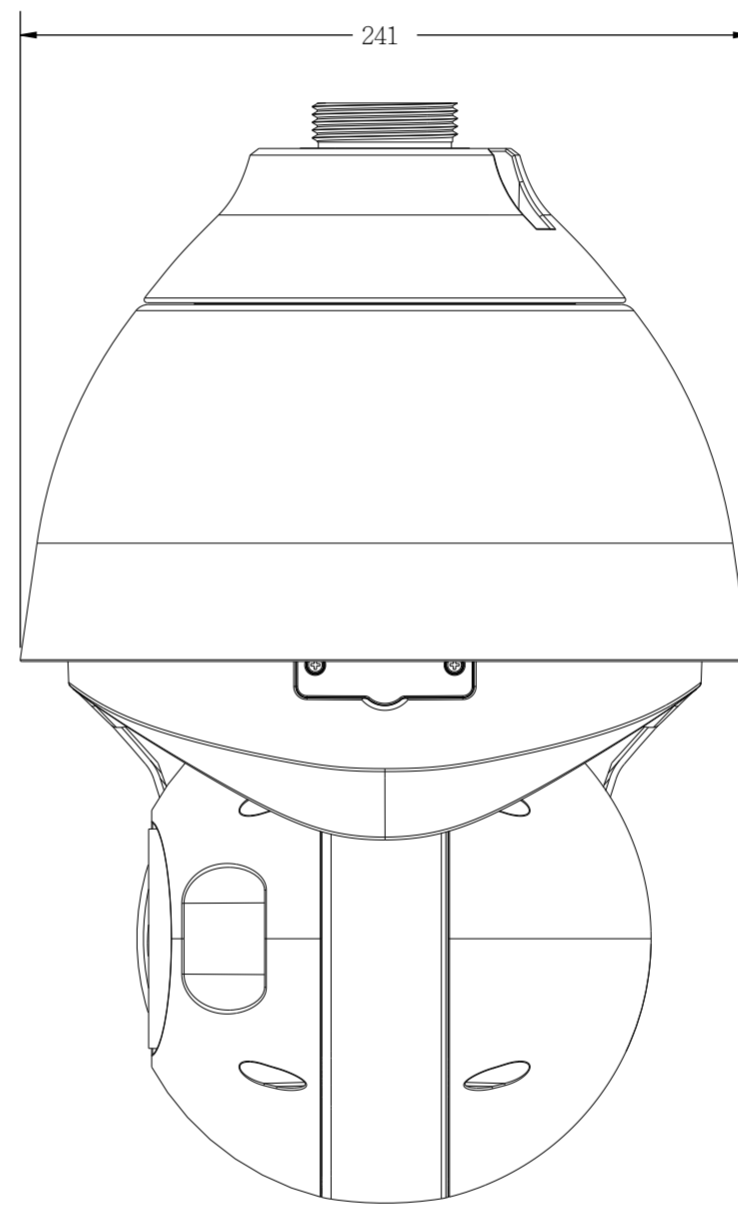
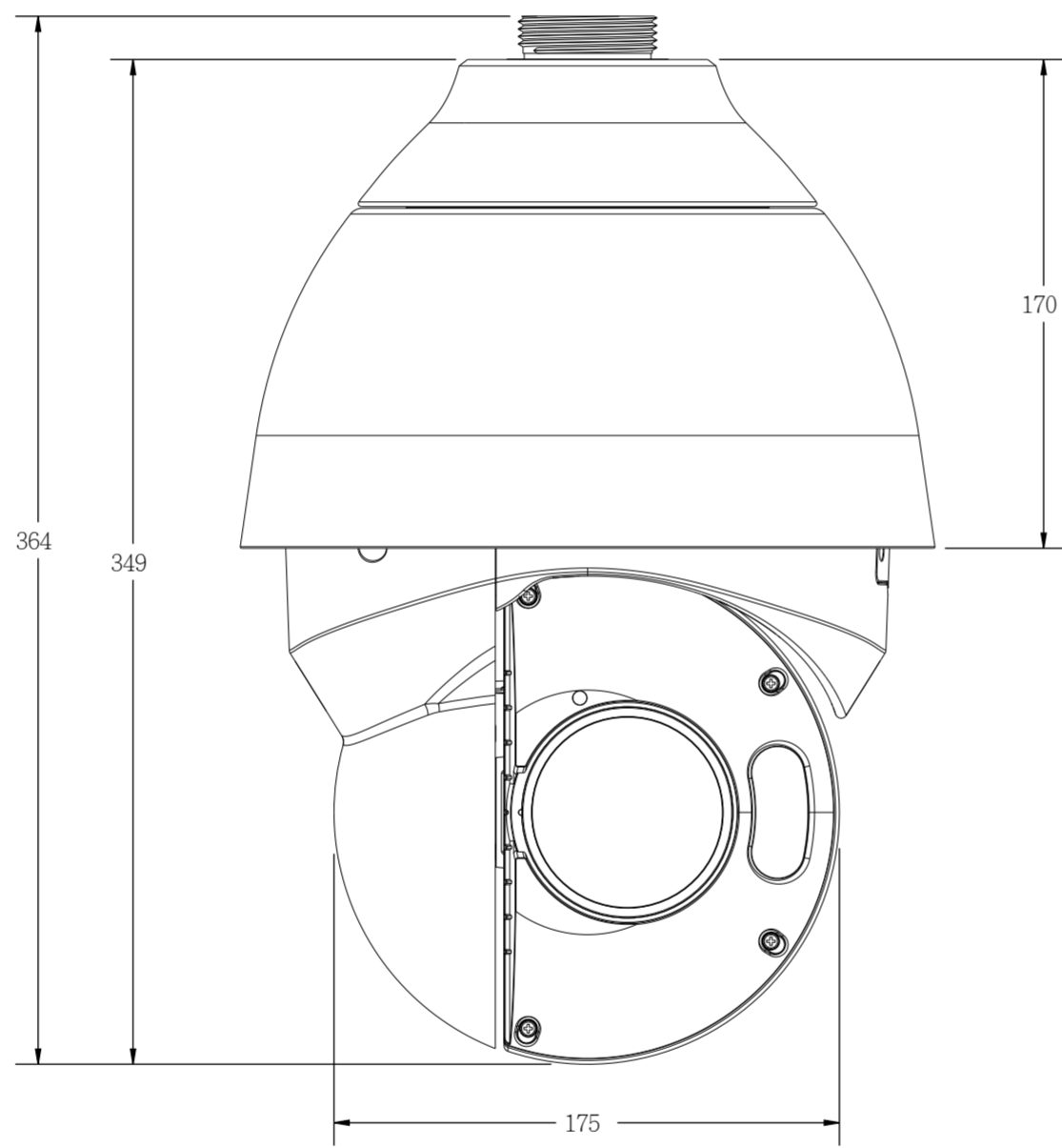
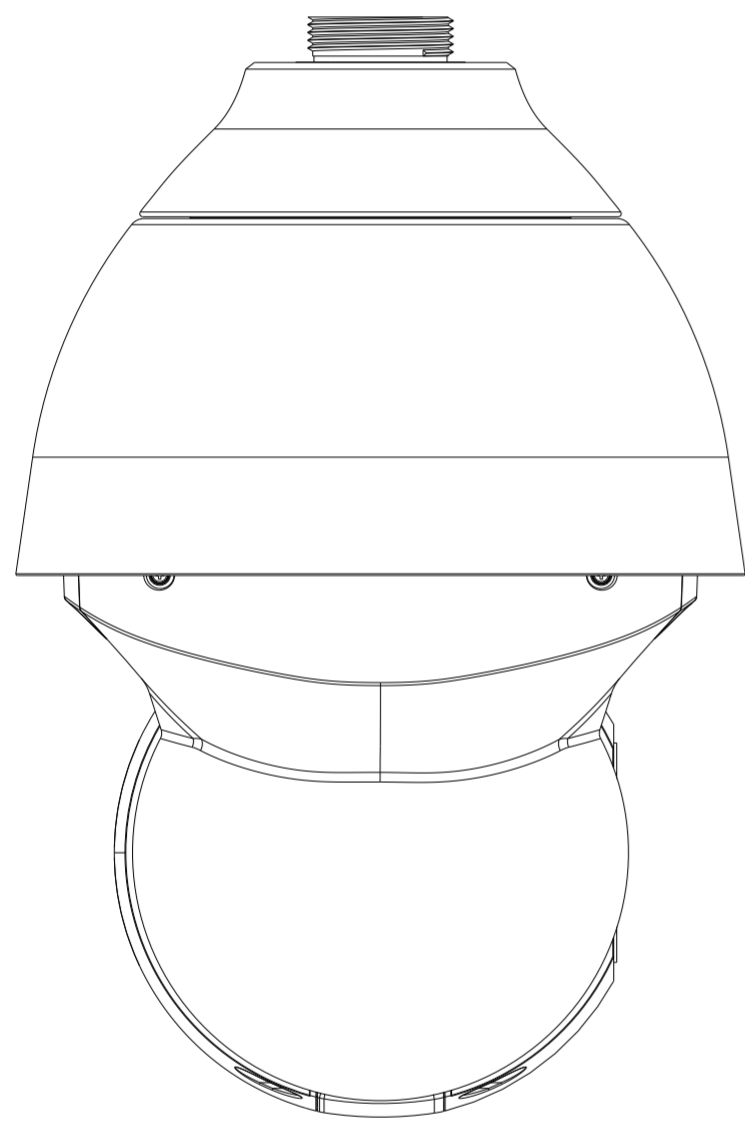
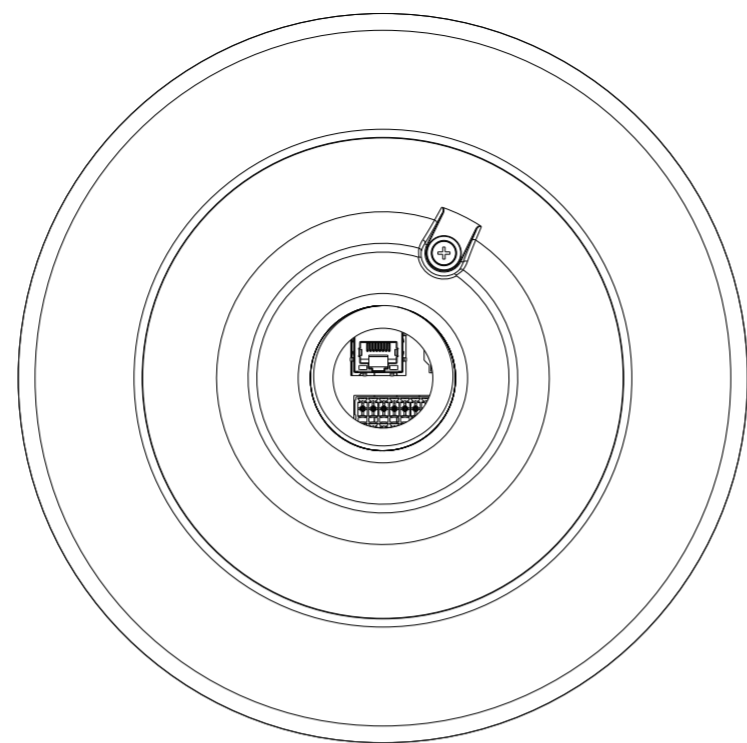
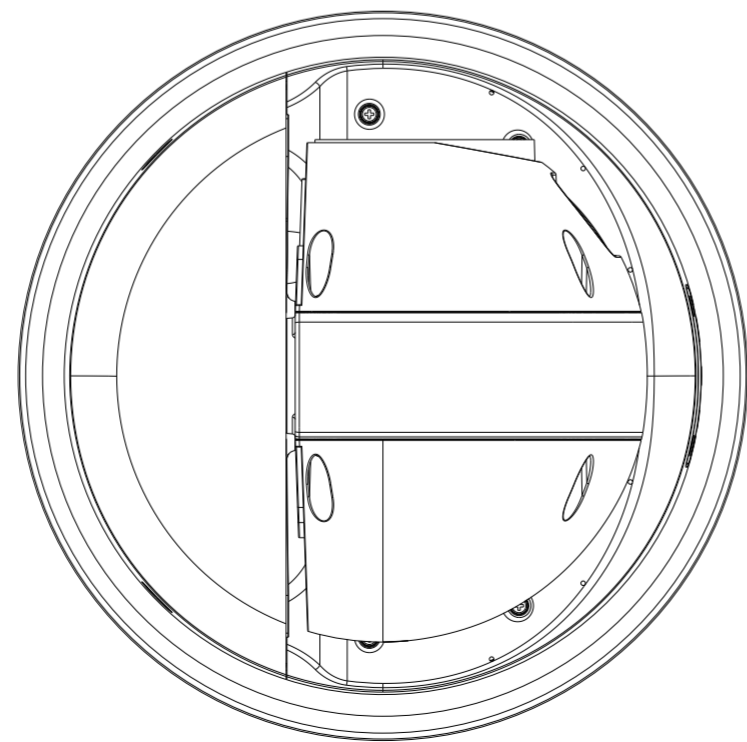


16 15 14 13 12 11 10 9 8 7 6 5 4 3 2 1 0



SCALE 0.300



ITEM NO	PART OR IDENTIFYING NO	NOMENCLATURE OF DESCRIPTION	MATERIAL SPECIFICATION	QTY REQD
PART LIST				
UNLESS OTHERWISE SPECIFIED DIMENSIONS ARE IN "mm" TOLERANCE: ASMA				
Dimension		Tolerance		
0-4		±0.1		
5-10		±0.15		
10-50		±0.2		
50-100		±0.25		
100+		±0.25%		
MATERIAL		DYNACOLOR, INC.		
FINISH		ID, 851, LIDAR, V2		
NEXT ASSY		REV: 2		
USED ON		DATE: 21/05/31		
APPLICATION		SCALE: A2		
		CAD FILE		
		SHEET		

16 15 14 13 12 11 10 9 8 7 6 5 4 3 2 1 0

H

G

F

E

D

C

B

A

H

G

F

E

D

C

B

A